

Accessories



- Full range of accessories
- Waterproof sheets with a range of vapour breathability capacities
- Special nails for K-Roof B (K-Nail) for use with standard hammers

- Standard clips for K-Roof Easy Premium for use with K-Hammer
- Butyl tape and stick for detail work



Tema: Building and Environmental Technologies and Materials



There are basically two aspects to building construction and environmental engineering: the visible aspect, which is largely aesthetic, and the invisible which includes structural elements, protection, maintenance and safety. **Tema** has been working in the latter for more than 10 years and has excelled with its original application solutions (often highly competitive), its innovative technology and its use of new materials.

Tema operates modern production facilities in Italy, Spain, Turkey and Russia. On every single day of the year its products are being used in more than 60 countries where it is a major market player, bringing drainage and insulation solutions and products to housing and commercial buildings.

Just as much a feature of its operations are the innovative solutions especially developed for large-scale environmental projects: as a matter of fact **Tema** offers the widest, most comprehensive range of drainage geocomposites and three-dimensional anti-erosion geomats.

Other features of **Tema's** operation are its continuous new product research, ongoing cooperation with designers and building companies and pre-sale and post-installation support to clients.

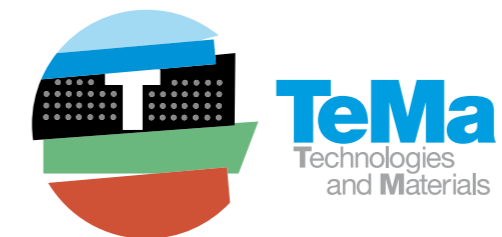
Cover: Amemura Building - Japan

TeMa Technologies and Materials srl
via dell'Industria 21
31029 Vittorio Veneto (TV) ITALY
Tel +39 0438 5031
fax +39 0438 503462
e-mail: info@temacorporation.com
www.temacorporation.com

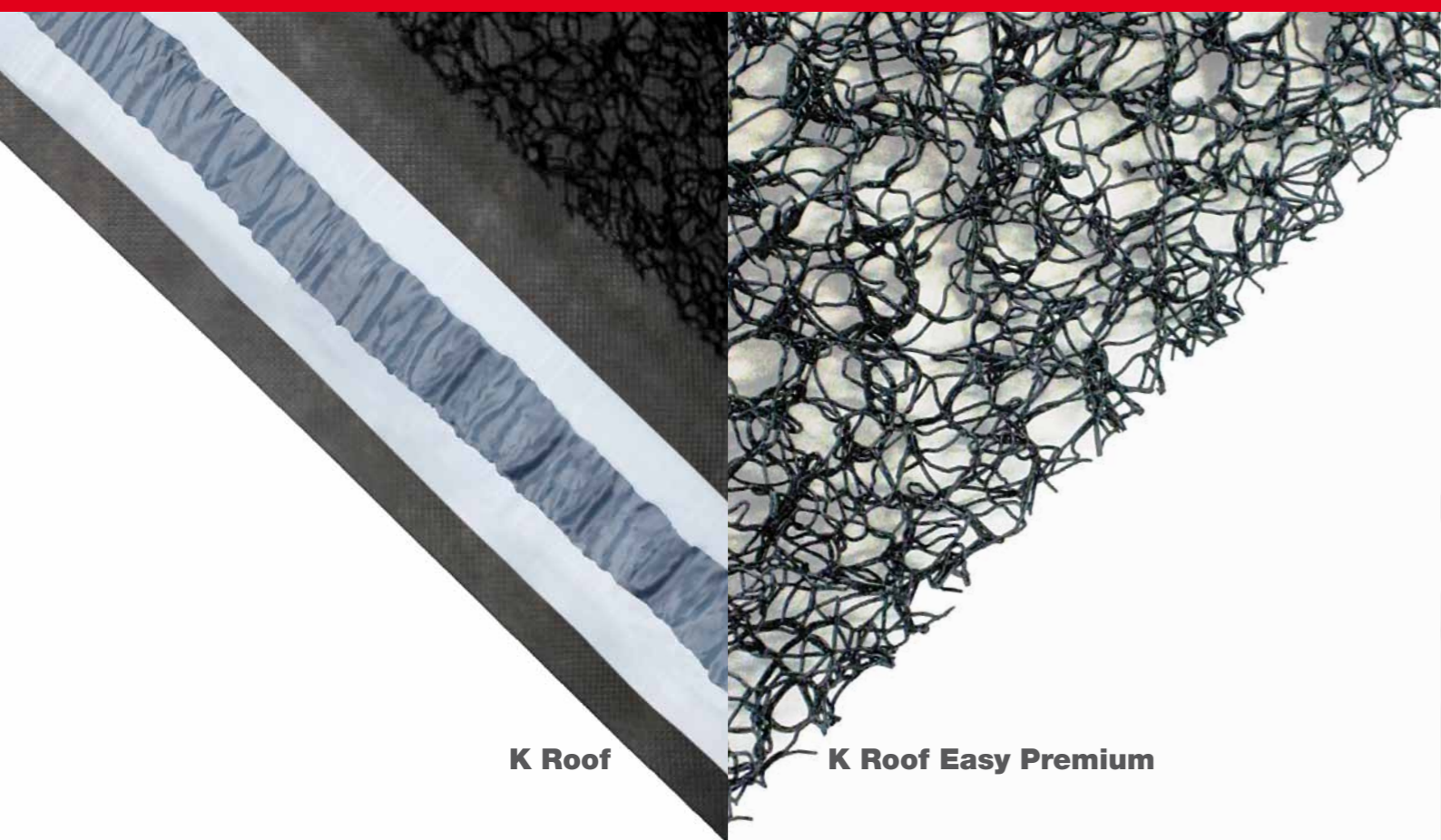
Tema North
142641 (FR) Moskovskaja obl.
Orehovo-zuevskij r-n
d. Davydovo
ul. Zavodskaja
Tel. /fax: +7(4964) 174204.

Tema Ibérica S.I.
C/Bélgica
Pol. Ind. de Rossanes
08769 Castellví de Rossanes
España

Tema Med Ltd.Sti.
Ege Serbest Bolgesi Mumtaz
Sok. No:23
35410 Gaziemir/Izmir Türkiye
Tel. +90 232 252 04 24
Fax +90 232 252 16 44



**CLIP SYSTEM METAL
ROOFS AND FACADES**
anti-corrosion and
sound insulation systems



K Roof

K Roof Easy Premium

Drainage and sound insulation in one

CHARACTERISTICS

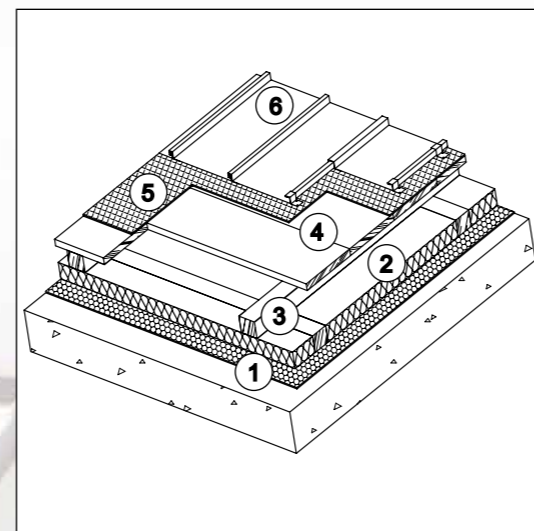
- Efficient drainage chamber for removal of condensation
- Sound insulation system to reduce impact noise (e.g. rain, hail etc)
- Good resistance to compression under permanent load (e.g. snow)
- Fully waterproof joints (butyl rubber trim on the selvedge for the K-Roof B version)
- Products made to current EC standards

BENEFITS

- Full range of accessories
- Prevents corrosion of metals, especially if zinc or galvanized steel
- Easy installation

	ROLL SIZE	NO. ROLLS/PALLET	THICKNESS
K ROOF C 10 B	1.4 x 25 m	10	10 mm
K ROOF C 10 F	1.4 x 25 m	10	10 mm
K ROOF C 10 EASY PREMIUM	1.3 x 30 m	9	10 mm

Construction and components



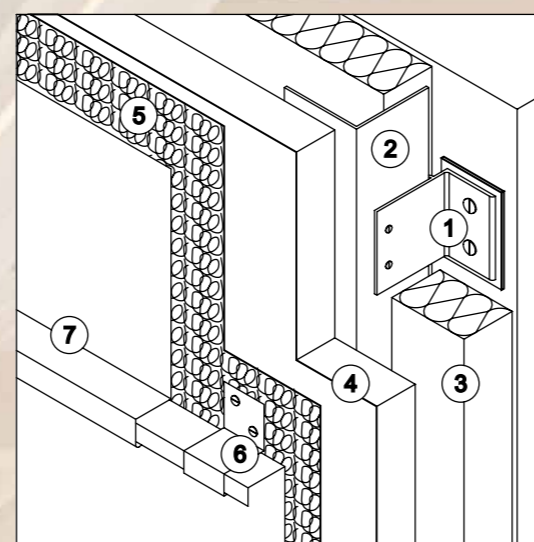
FLAT ROOF SYSTEM

Layers with insulation and ventilation chamber

1. Vapour barrier
2. Insulation
3. Double battens
4. Board
5. Anti-corrosion and sound insulation layer
6. Clip-on metal roof

Recommended product

K-ROOF



FACADE CLADDING

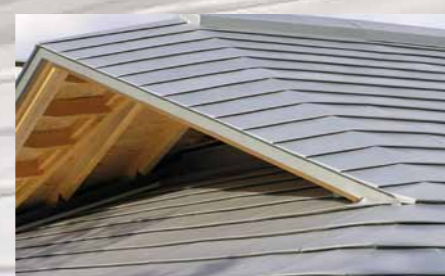
Insulation layers

1. Clamps with termostop
2. Vertical aluminium profiles
3. Insulation
4. Plywood
5. Anti-corrosion and sound insulation layer
6. Fastening clips
7. Clip-on metal facade

Recommended products

K-ROOF, K-ROOF EASY PREMIUM, K-SIDE EASY PREMIUM ZZ

Our projects



SHOFIKO APARTMENTS - JAPAN



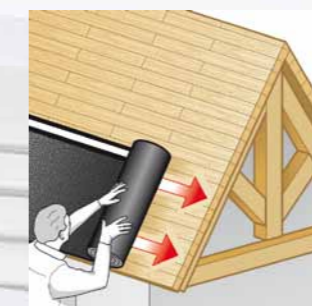
AMEMURA BUILDING - JAPAN



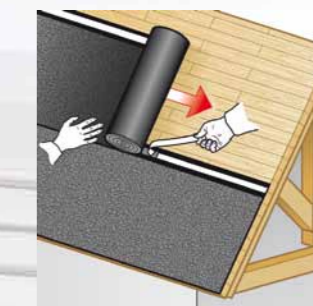
OTLAV HEADQUARTERS - ITALY

Installation instructions

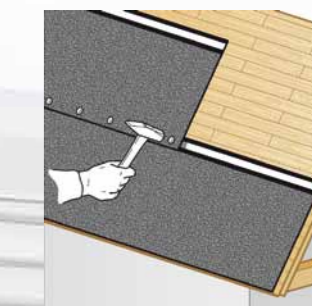
K-ROOF INSTALLATION



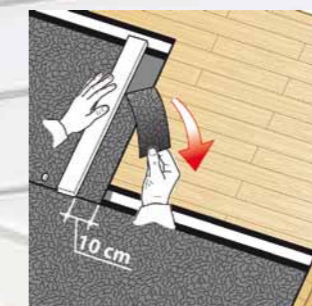
- 1 Lay the first roll starting from the gutter line



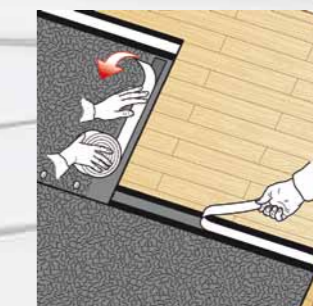
- 2 Remove silicon paper and lay second roll gluing it onto the first



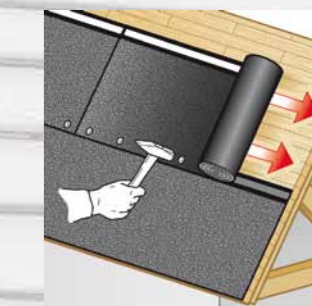
- 3 Using K-Nail, nail the second roll to the rubber trim



- 4 Roll head joints: delaminate the monofilaments of the breathing membrane



- 5 Lay K-Butyl Tape and remove silicon papers



- 6 Lay next roll and nail to rubber trim

K-ROOF EASY PREMIUM INSTALLATION



- 1 Lay rolls and clip onto board with K-Hammer



- 2 Bend sheet and place next to previously fastened sheet



- 3 Clip one sheet to the other



- 4 Fasten with universal clips